

CITY OF WINTER PARK

WATER & WASTEWATER UTILITY DEPARTMENT

REFERENCE THE "WATER & WASTEWATER UTILITY STANDARDS, SPECIFICATIONS & DETAILS MANUAL"

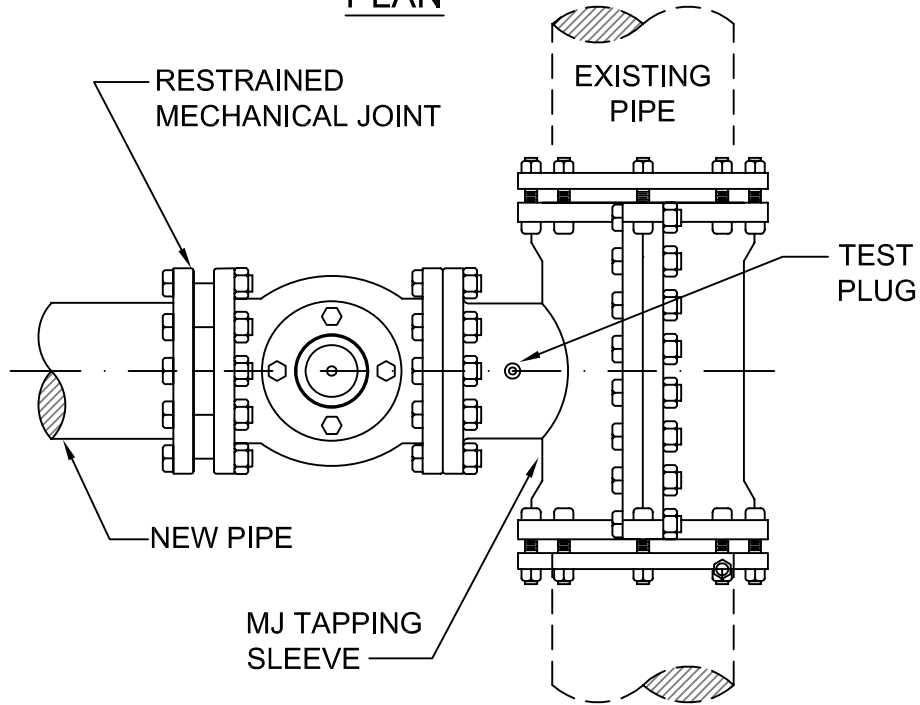
DATE: January 2, 2008

MJ TAPPING SLEEVE & TAPPING VALVE

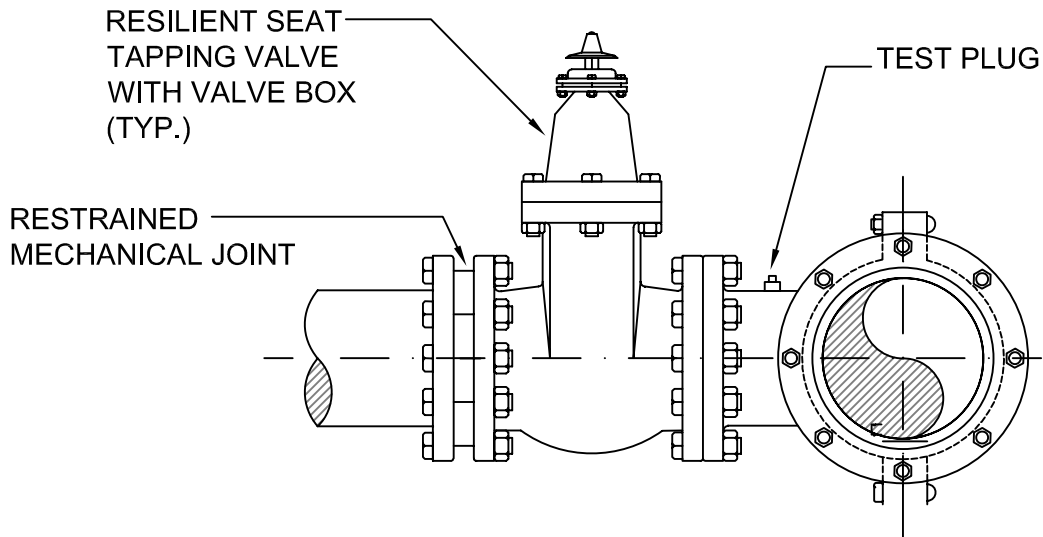
SCALE: N.T.S

(APPROVED FOR UNIVERSAL CAST IRON PIPE)

PLAN



PROFILE



NOTES:

1. AC PIPE REQUIRES SMITH BLAIR MODEL - 655 OR JCM MODEL - 432 TAPPING SLEEVE.

FIGURE 9