

CITY OF WINTER PARK

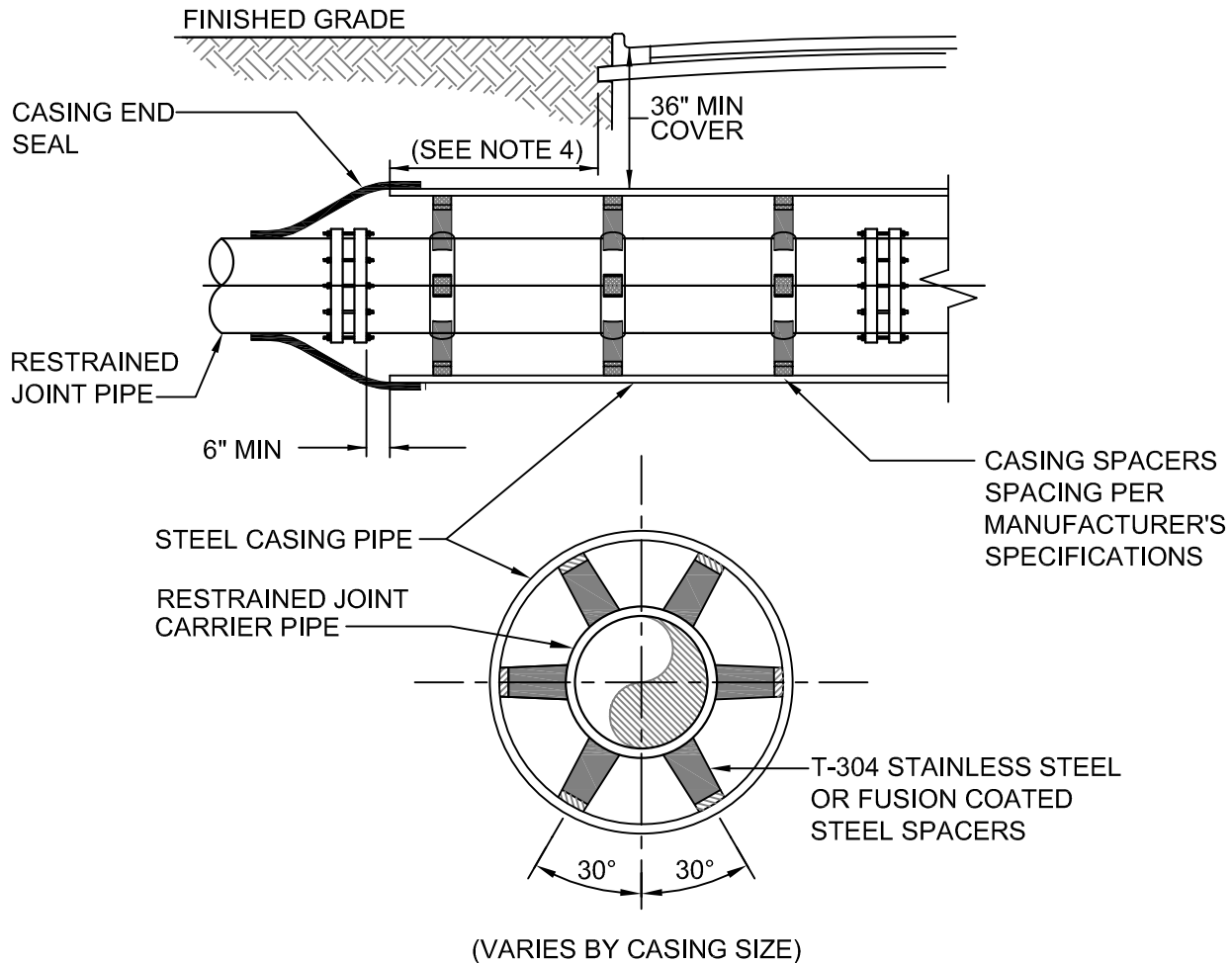
WATER & WASTEWATER UTILITY DEPARTMENT

REFERENCE THE "WATER & WASTEWATER UTILITY STANDARDS, SPECIFICATIONS & DETAILS MANUAL"

DATE: January 2, 2008

CASING SPACERS

SCALE: N.T.S



NOTES:

1. WHEN CONSTRUCTION IS WITHIN FDOT JURISDICTION, ADDITIONAL REQUIREMENTS OF THE UTILITY ACCOMMODATION GUIDE SHALL BE MET.
2. DISTANCE BETWEEN SPACERS TO BE PER MANUFACTURER'S SPECIFICATIONS.
3. NO FLOWABLE FILL IN THE ANNULAR SPACE BETWEEN THE CASING AND CARRIER PIPE.
4. CASING SHALL EXTEND A MINIMUM OF 5' FROM THE EDGE OF THE ROADWAY OR MEET FDOT REQUIREMENTS, WHICHEVER IS GREATER.

FIGURE 8