

CITY OF WINTER PARK

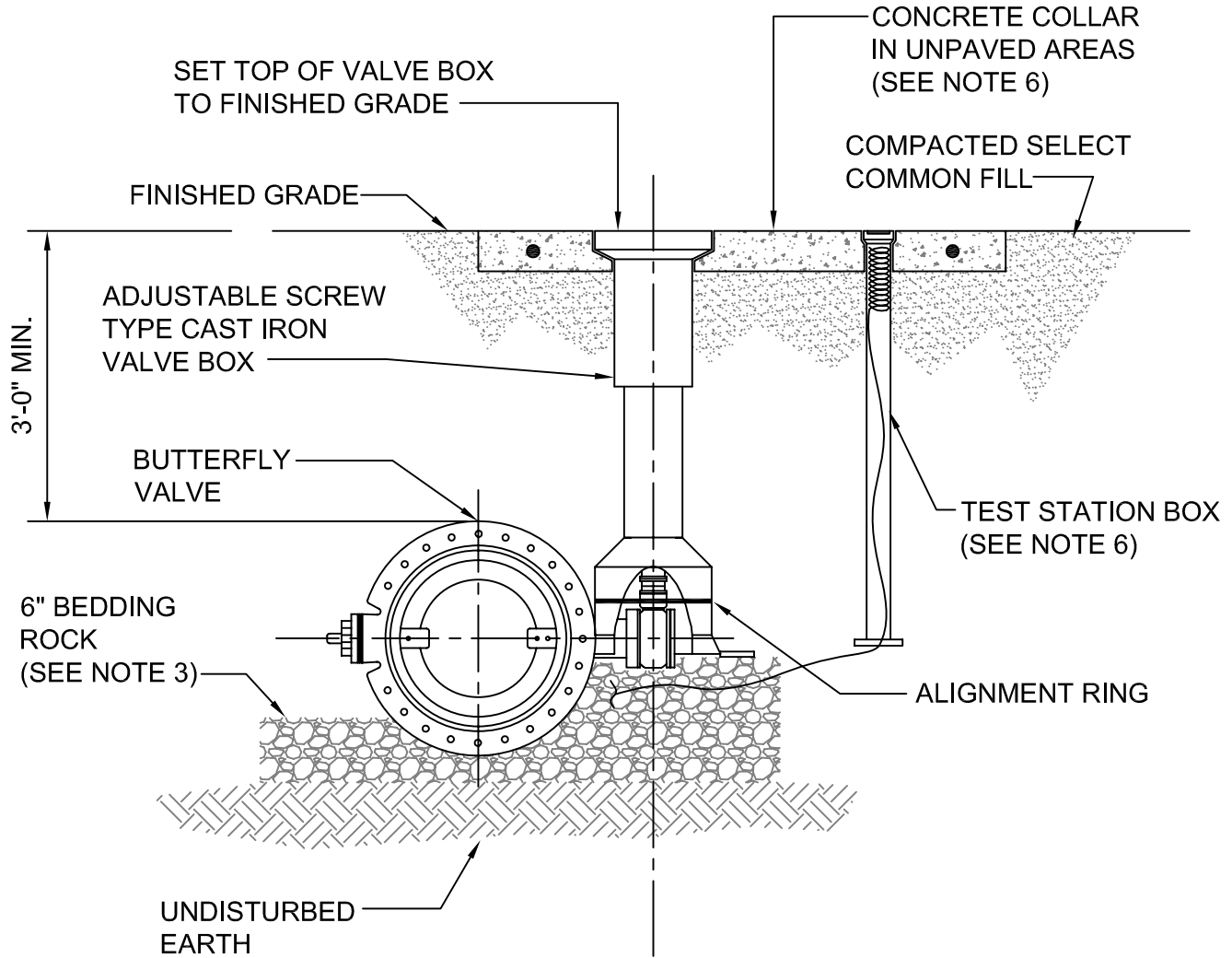
WATER & WASTEWATER UTILITY DEPARTMENT

REFERENCE THE "WATER & WASTEWATER UTILITY STANDARDS, SPECIFICATIONS & DETAILS MANUAL"

DATE: January 2, 2008

BUTTERFLY VALVE & BOX -WATER

SCALE: N.T.S



NOTES:

1. PVC PIPE EXTENSIONS SHALL NOT BE USED ON VALVE BOX INSTALLATION.
2. THE ACTUATING NUT FOR VALVES SHALL BE EXTENDED TO 3' BELOW FINISHED GRADE.
3. BEDDING MATERIAL SHALL CONFORM TO FDOT NO. 57 AGGREGATE.
4. VALVE BOX SHALL REST ON BEDDING ROCK NOT ON VALVE OR PIPE AND SHALL BE CENTERED ON OPERATING NUT.
5. ALL WATER SHUT-OFF VALVES 16" AND LARGER MAY BE BUTTERFLY VALVES.
6. SEE FIGURE 10 AND 42 FOR DETAILED SPECIFICATIONS.
7. THE VALVE COVER BOX SHALL BE MARKED "WATER".

FIGURE 7