

CITY OF WINTER PARK

WATER & WASTEWATER UTILITY DEPARTMENT

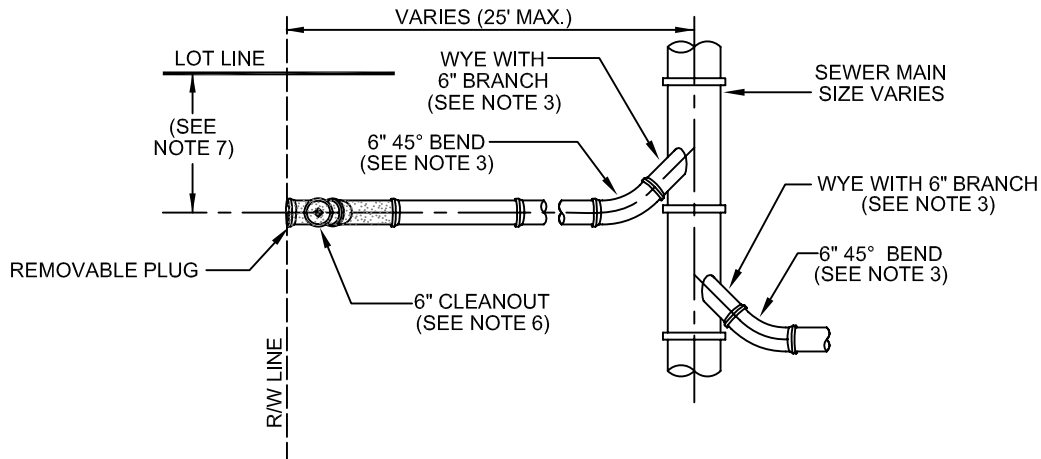
REFERENCE THE "WATER & WASTEWATER UTILITY STANDARDS, SPECIFICATIONS & DETAILS MANUAL"

DATE: January 2, 2008

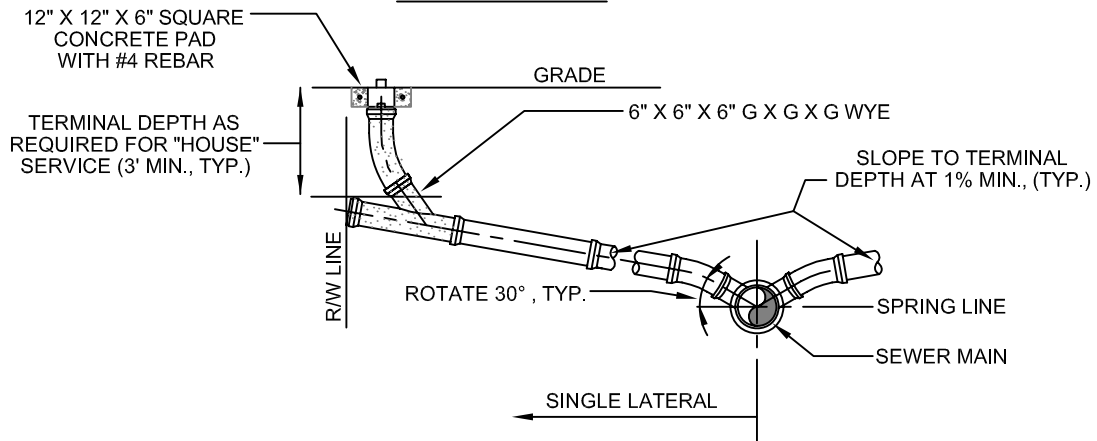
SERVICE LATERAL

SCALE: N.T.S

PLAN VIEW



PROFILE VIEW



NOTES:

1. INVERT OF SERVICE LATERAL SHALL NOT ENTER SEWER MAIN BELOW SPRING LINE.
2. SERVICE LATERAL SHALL BE CAPPED BY DEVELOPER'S CONTRACTOR.
3. ALL FITTINGS SHOWN ARE TO BE INSTALLED.
4. SERVICE CONNECTIONS SHALL BE PERMANENTLY MARKED BY CUTTING AN "S" INTO THE CURB DIRECTLY OVER THE LATERAL.
5. BUILDER'S PLUMBER WILL REMOVE PLUG, INSTALL CLEANOUT AND CONNECT LATERAL TO HOUSE.
6. 6" CLEANOUT (SHOWN SHADED) SHALL BE INSTALLED BY THE BUILDER AND/OR CONTRACTOR AT THE PROPERTY LINE IN ACCORDANCE WITH UTILITY STANDARDS.
7. SINGLE LATERALS ARE TO BE INSTALLED PER CITY UTILITY REQUIREMENTS.

FIGURE 4