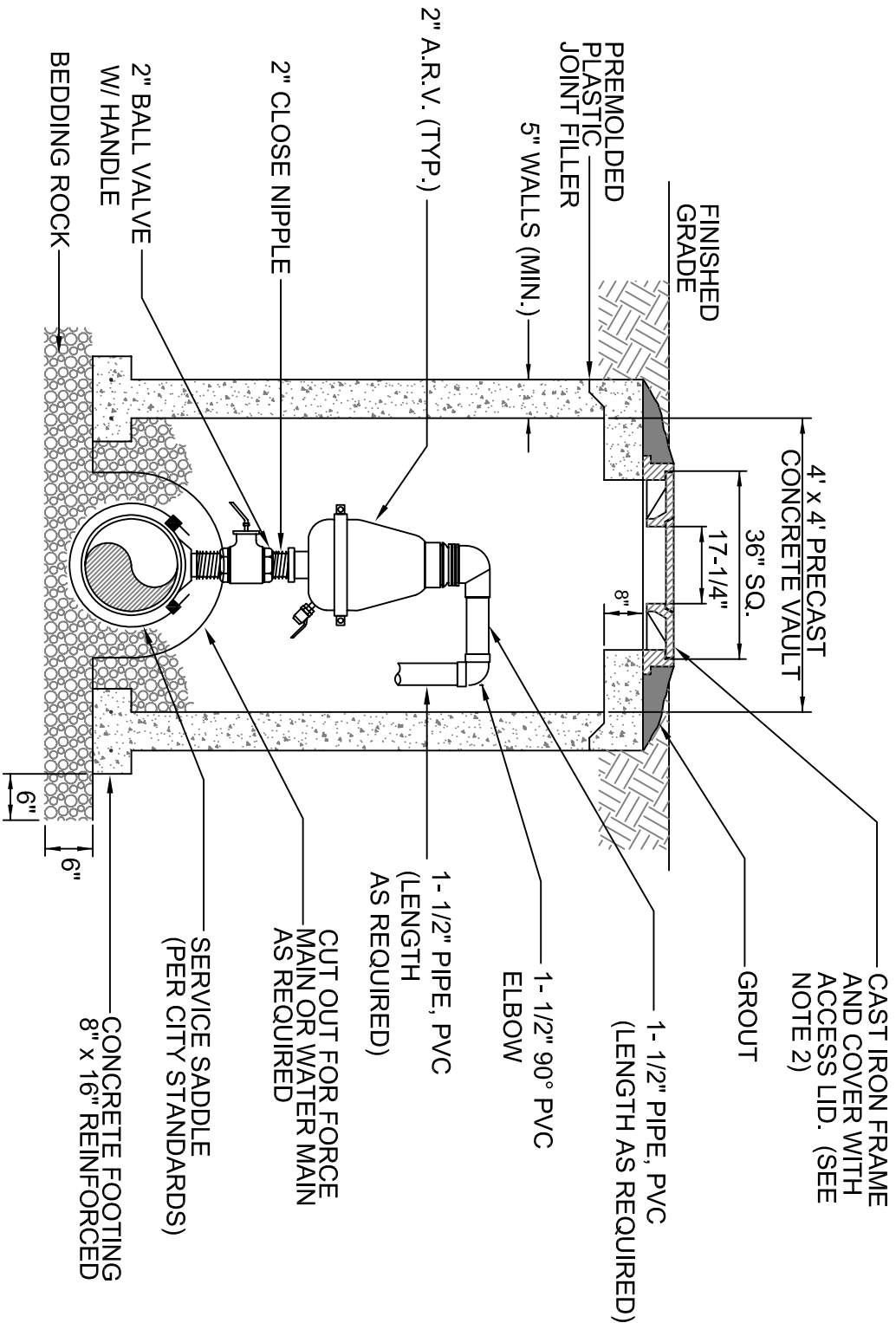


CITY OF WINTER PARK
WATER & WASTEWATER UTILITY DEPARTMENT
REFERENCE THE "WATER & WASTEWATER UTILITY STANDARDS, SPECIFICATIONS & DETAILS MANUAL"

DATE: January 2, 2008

AIR VACUUM RELEASE VALVE-WASTEWATER

SCALE: N.T.S.



NOTES:

1. THE ABOVE DETAIL ARE BASED ON 2" COMBINATION AIR/VACUUM RELEASE VALVES. CHANGE PIPE AND FITTINGS FOR OTHER VALVE SIZES AND TYPES. VALVE SIZES TO BE DETERMINED BY THE ENGINEER AND APPROVED BY THE CITY OF WINTER PARK PRIOR TO INSTALLATION.
2. H-20 LOADING, TRAFFIC RATED LID REQUIRED.

FIGURE 38