

CITY OF WINTER PARK

WATER & WASTEWATER UTILITY DEPARTMENT

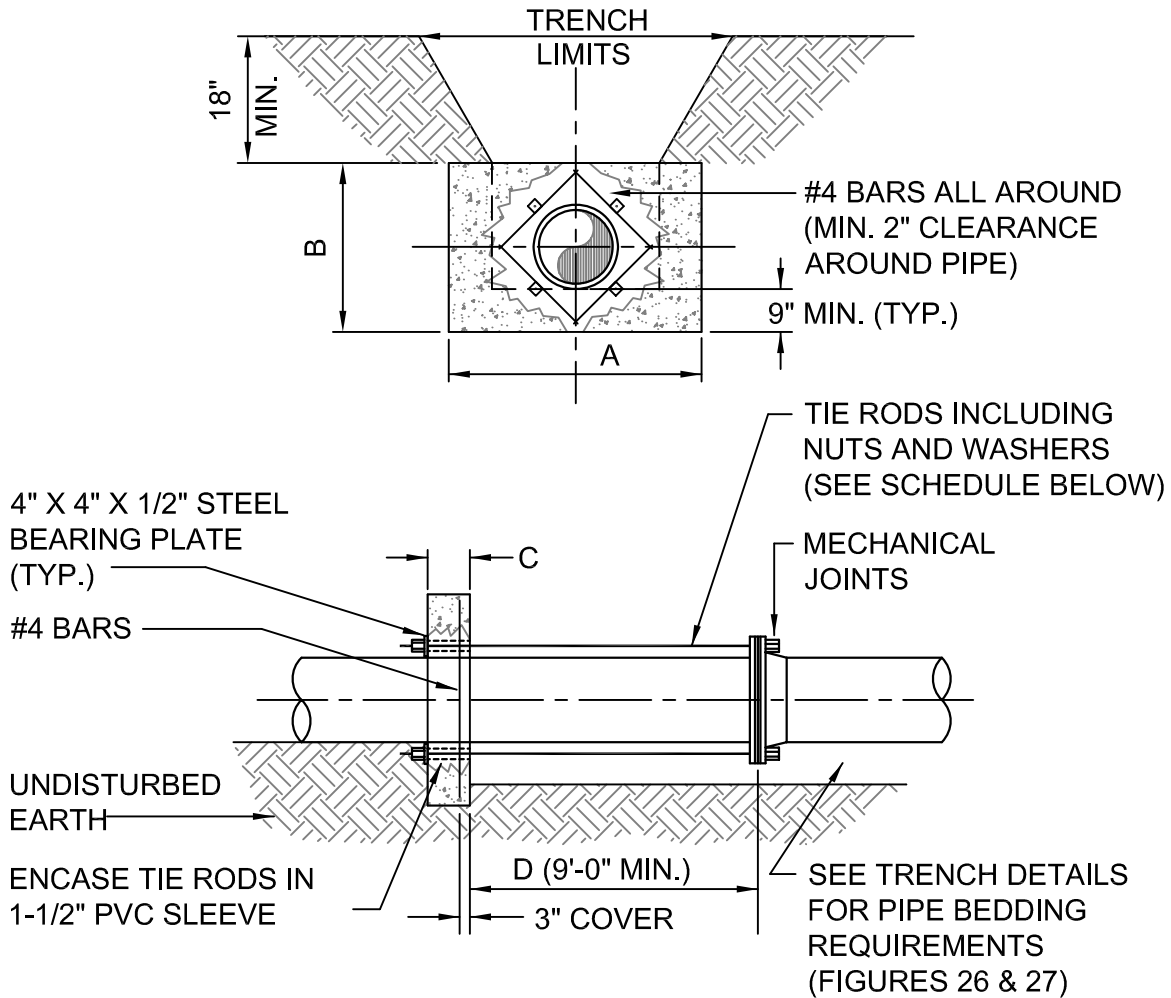
REFERENCE THE "WATER & WASTEWATER UTILITY STANDARDS, SPECIFICATIONS & DETAILS MANUAL"

DATE: January 2, 2008

THRUST COLLAR - FORCE MAIN

SCALE: N.T.S

PRIOR APPROVAL REQUIRED



NOTES:

1. ADDITIONAL REINFORCEMENTS SHALL BE SPECIFIED BY THE ENGINEER.
2. MINIMUM COMPRESSIVE STRENGTH FOR CONCRETE SHALL BE 3000 PSI.
3. BEDDING, BACKFILL AND COMPACTION SHALL BE SPECIFIED IN THE STANDARD DRAWING.
4. ALL FORM BOARDS SHALL BE REMOVED PRIOR TO BACKFILLING.
5. NO ALLOWANCE SHALL BE MADE FOR FRICTION BETWEEN THE PIPE WALL.
6. DESIGN PRESSURE: 100 PSI.

SCHEDULE OF DIMENSIONS AND MATERIALS						
PIPE SIZE (INCHES)	DIMENSIONS (FT.)				TIE RODS REQ'D	
	A	B	C	D	DIA.	NO.
6	2.0	2.0	1.0		3/4	2
8	2.5	2.5	1.0		3/4	2
10	3.0	2.5	1.0		3/4	2
12	4.0	3.0	1.0		3/4	2
16	5.5	3.5	1.5		3/4	4
20	7.5	4.0	1.5		3/4	4
24	8.5	5.0	1.5		3/4	6

NOTE: THRUST COLLAR AREAS TO BE COMPUTED ON BASIS OF 2000 LBS/SF SOIL RESTRAINT BEARING.

FIGURE 33