

CITY OF WINTER PARK

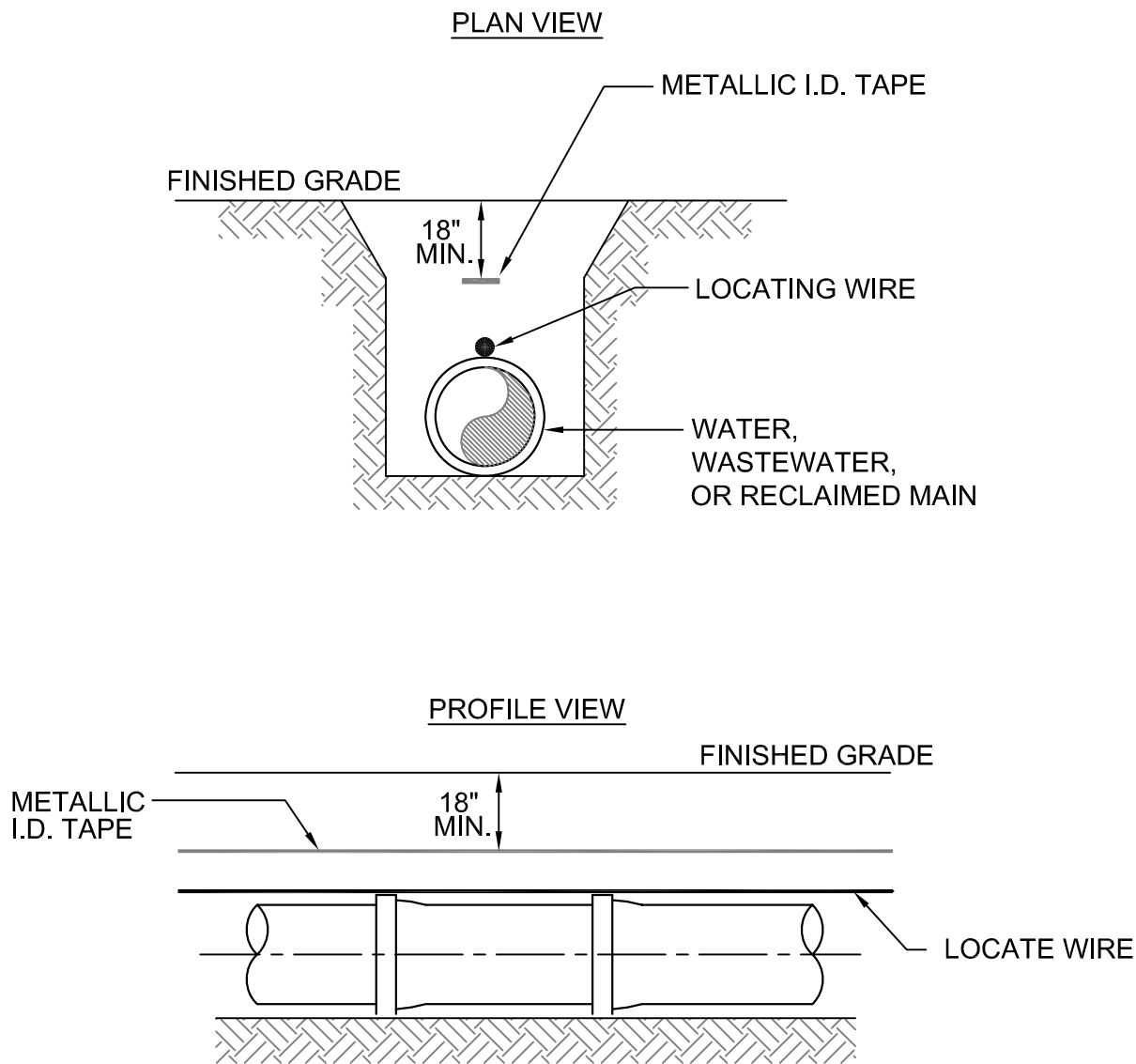
WATER & WASTEWATER UTILITY DEPARTMENT

REFERENCE THE "WATER & WASTEWATER UTILITY STANDARDS, SPECIFICATIONS & DETAILS MANUAL"

DATE: January 2, 2008

PIPE LOCATING WIRE & METALLIC TAPE

SCALE: N.T.S



NOTES:

1. ALL PIPES REQUIRE INSULATED WIRE (10 GAUGE SOLID COPPER OR 12 GAUGE COPPERHEAD COPPER COAST STEEL) CAPABLE OF DETECTION BY A CABLE LOCATOR AND SHALL BE SECURED TO THE TOP CENTERLINE OF THE PIPE.
2. THE LOCATING WIRE SHALL TERMINATE INSIDE THE TEST BOX AND SHALL EXTEND 12" ABOVE FINISHED GRADE.
3. METALLIC I.D. TAPE SHALL BE INSTALLED AT THE CENTERLINE OF THE BURIED MAIN AND A MINIMUM OF 18" BELOW FINISHED GRADE.

FIGURE 3