

CITY OF WINTER PARK

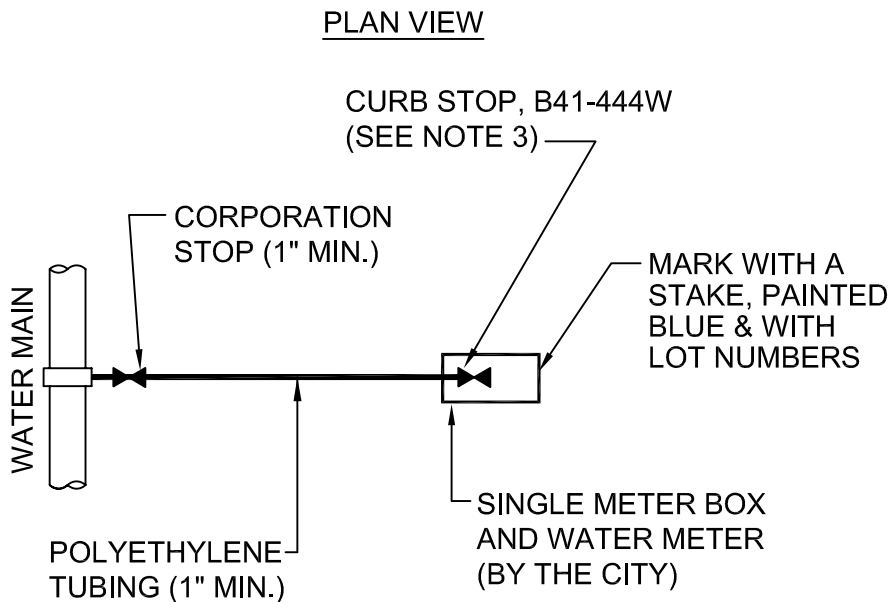
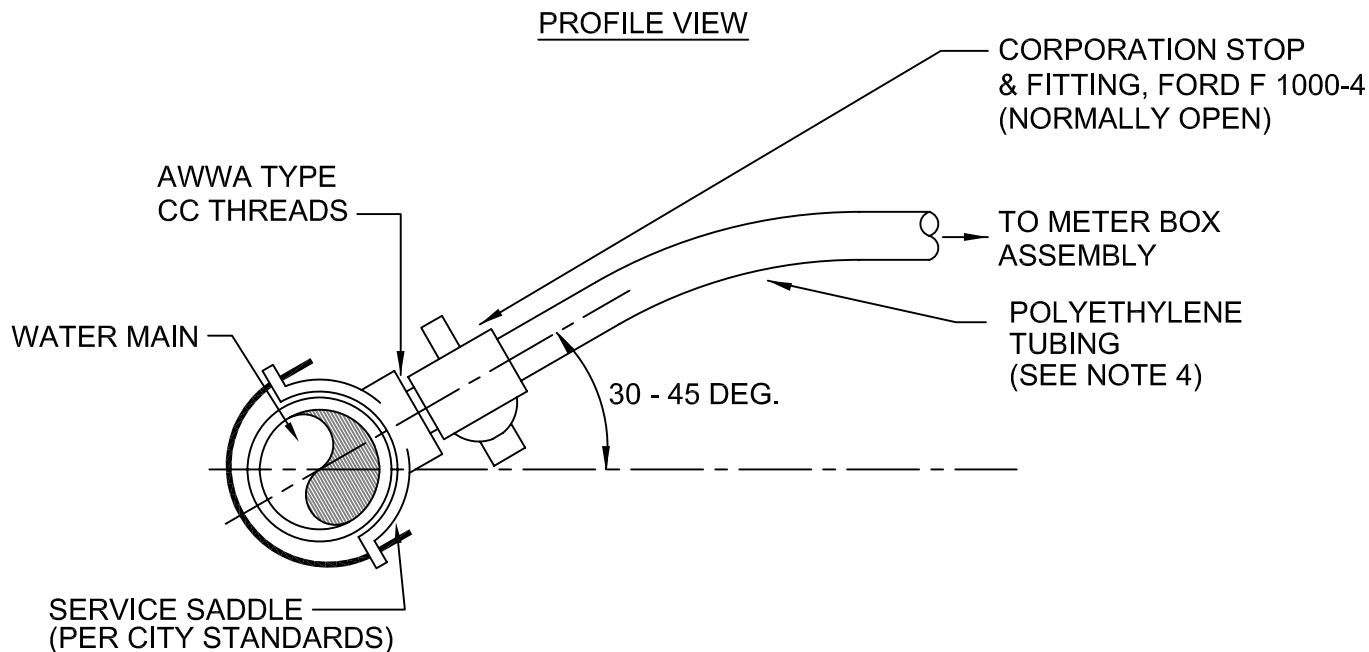
WATER & WASTEWATER UTILITY DEPARTMENT

REFERENCE THE "WATER & WASTEWATER UTILITY STANDARDS, SPECIFICATIONS & DETAILS MANUAL"

DATE: January 2, 2008

1" WATER SERVICE CONNECTION

SCALE: N.T.S



NOTES:

1. ALL FITTINGS SHALL BE BRASS WITH COMPRESSION/PACK JOINT TYPE CONNECTIONS.
2. NO SERVICE LINE SHALL TERMINATE UNDER DRIVEWAY OR SIDEWALK.
3. EACH SERVICE SHALL TERMINATE AT A CURB STOP(S) WHICH SHALL BE BURIED APPROXIMATELY 3" BELOW FINAL GRADE AND CLEARLY MARKED WITH A 2" X 2" X 18" STAKE AND PAINTED WITH THE COLOR OF THE PROVIDED UTILITY SERVICE AND LABELED WITH LOT NUMBER IT SERVES.
4. POLYETHYLENE TUBING MUST BE ENDOPURE 200 PSI-PE 3408, AS MANUFACTURED BY ENDOT INDUSTRIES, ASTM D-2737.

FIGURE 28