

CITY OF WINTER PARK

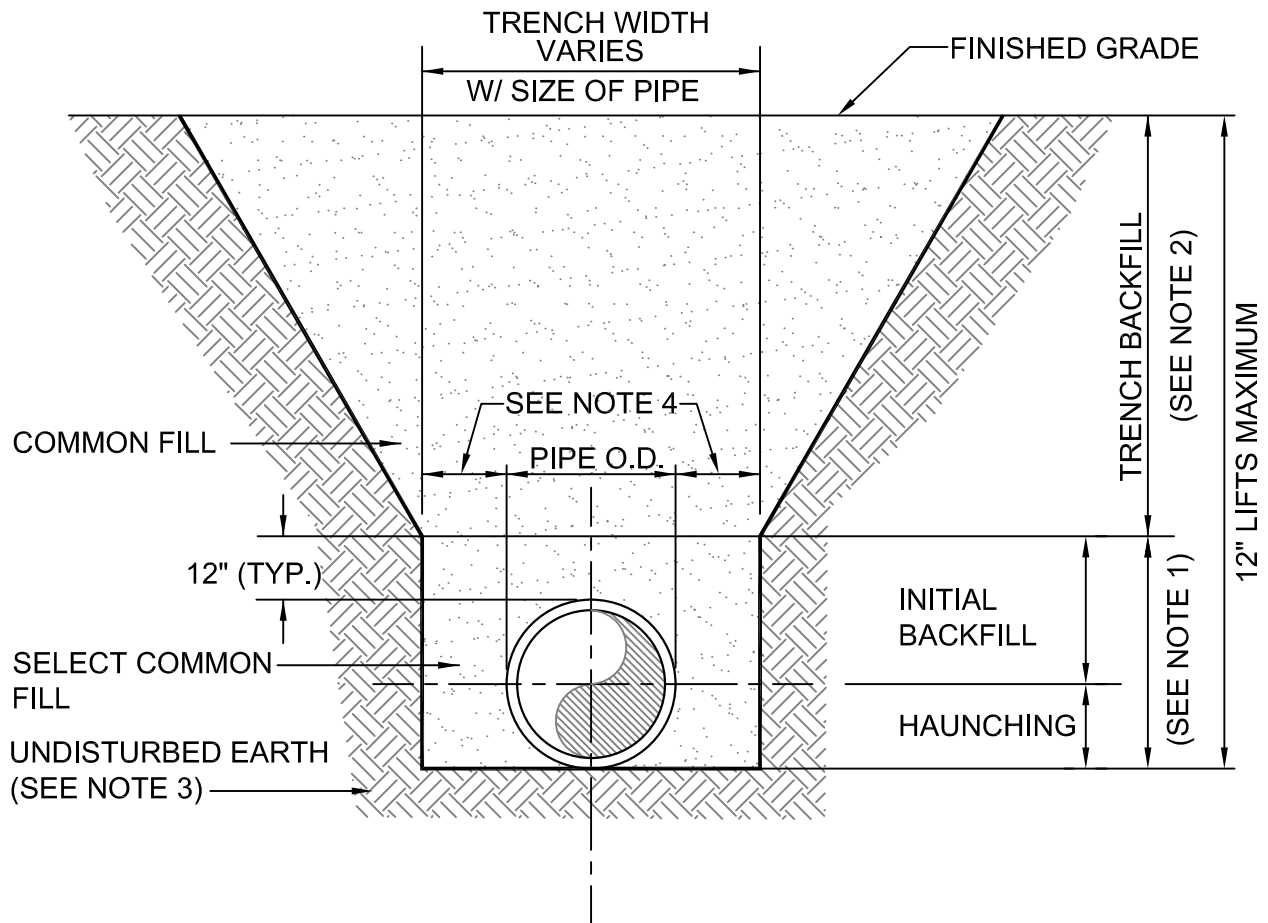
WATER & WASTEWATER UTILITY DEPARTMENT

REFERENCE THE "WATER & WASTEWATER UTILITY STANDARDS, SPECIFICATIONS & DETAILS MANUAL"

DATE: January 2, 2008

BEDDING & TRENCHING - TYPE B

SCALE: N.T.S



NOTES:

1. TRENCH BACKFILL: COMMON FILL COMPACTED TO 95% OF THE MAXIMUM DENSITY, PER AASHTO T-180. DENSITY TEST SHALL BE PROVIDED TO THE CITY BY AN APPROVED LAB.
2. PIPE BEDDING UTILIZING SELECT COMMON FILL OR BEDDING ROCK IN ACCORDANCE WITH TYPE "A" BEDDING AND TRENCHING DETAIL MAY BE REQUIRED AS DIRECTED BY UTILITIES.
3. 15" MAXIMUM/12" MINIMUM FOR PIPE DIAMETERS LESS THAN 24".
4. 24" MAXIMUM/12" MINIMUM FOR PIPE DIAMETERS 24" AND LARGER
5. WATER SHALL NOT BE PERMITTED IN THE TRENCH DURING CONSTRUCTION.
6. ALL PIPES ARE TO BE INSTALLED WITH THE BELL FACING UPSTREAM TO THE DIRECTION OF THE FLOW.
7. FINAL RESTORATION IN IMPROVED AREAS SHALL BE IN COMPLIANCE WITH ALL APPLICABLE REGULATIONS OF THE GOVERNING AGENCIES. SURFACE RESTORATION WITHIN THE CITY OF WINTER PARK'S ROW SHALL COMPLY WITH THE REQUIREMENTS OF ROW UTILIZATION REGULATIONS AND ROAD CONSTRUCTION SPECIFICATIONS.

FIGURE 27