

CITY OF WINTER PARK

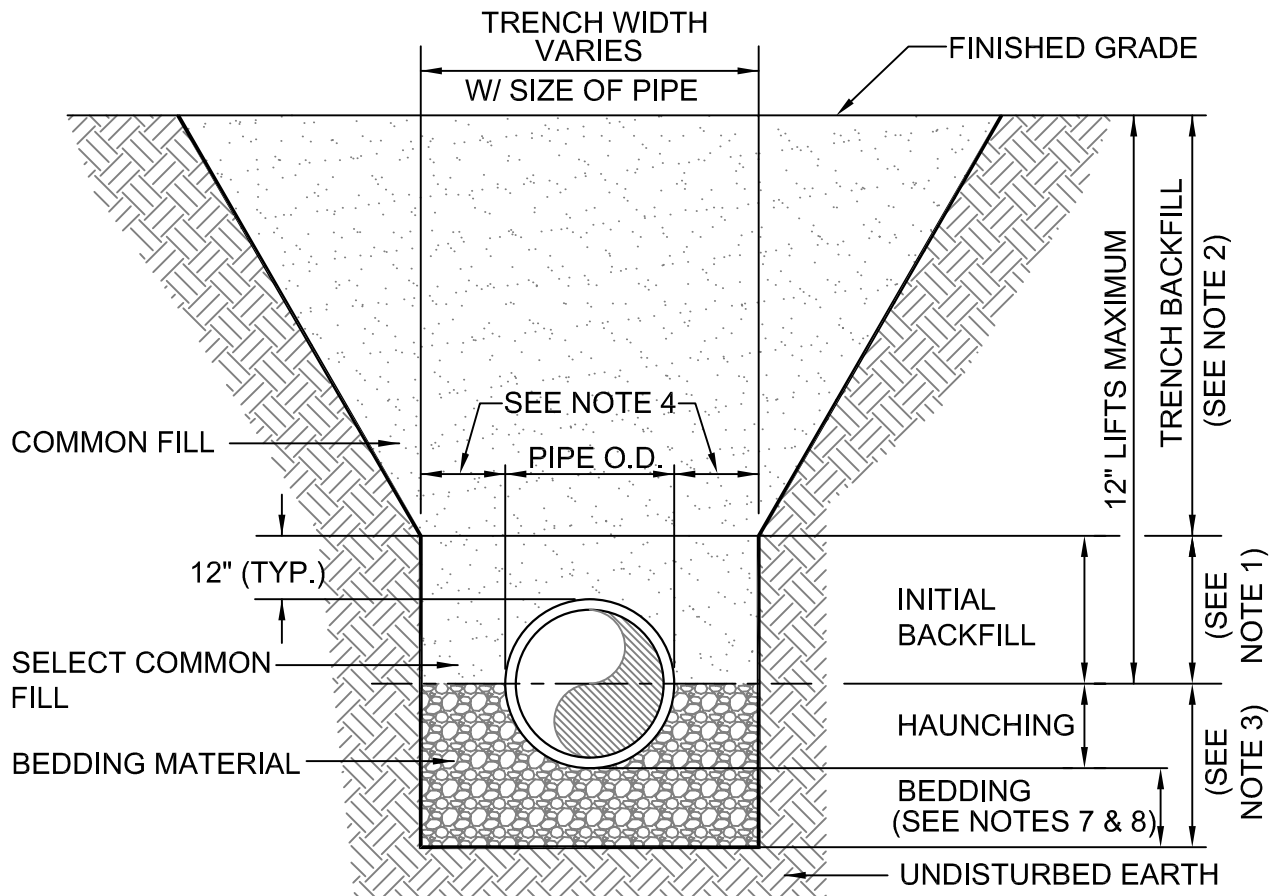
WATER & WASTEWATER UTILITY DEPARTMENT

REFERENCE THE "WATER & WASTEWATER UTILITY STANDARDS, SPECIFICATIONS & DETAILS MANUAL"

DATE: January 2, 2008

BEDDING & TRENCHING - TYPE A

SCALE: N.T.S



NOTES:

1. TRENCH BACKFILL: COMMON FILL COMPACTED TO 95% OF THE MAXIMUM DENSITY, PER AASHTO T-180. DENSITY TEST SHALL BE PROVIDED TO THE CITY BY AN APPROVED LAB.
2. TYPE "A" BEDDING MATERIAL SHALL CONFORM TO FDOT NO. 57 AGGREGATE.
3. 15" MAXIMUM/12" MINIMUM FOR PIPE DIAMETER LESS THAN 24".
4. 24" MAXIMUM/12" MINIMUM FOR PIPE DIAMETER 24" AND LARGER.
5. WATER SHALL NOT BE PERMITTED IN THE TRENCH DURING CONSTRUCTION.
6. ALL PIPE TO BE INSTALLED WITH BELL FACING UPSTREAM TO THE DIRECTION OF THE FLOW.
7. BEDDING DEPTH SHALL BE A 4" MINIMUM FOR PIPE DIAMETERS UP TO 12" AND 6" MINIMUM FOR PIPE DIAMETER 16" AND LARGER.
8. DEPTH FOR REMOVAL OF UNSUITABLE MATERIAL SHALL GOVERN DEPTH OF BEDDING ROCK BELOW THE PIPE. UTILITIES SHALL DETERMINE (IN THE FIELD) THE REQUIRED REMOVAL OF UNSUITABLE MATERIAL TO REACH SUITABLE FOUNDATION.
9. FINAL RESTORATION IN IMPROVED AREAS SHALL BE IN COMPLIANCE WITH ALL APPLICABLE REGULATIONS OF THE GOVERNING AGENCIES. SURFACE RESTORATION WITHIN THE CITY OF WINTER PARK'S SHALL COMPLY WITH THE REQUIREMENTS OF ROW UTILIZATION REGULATIONS AND ROAD CONSTRUCTION SPECIFICATIONS.

FIGURE 26