

CITY OF WINTER PARK

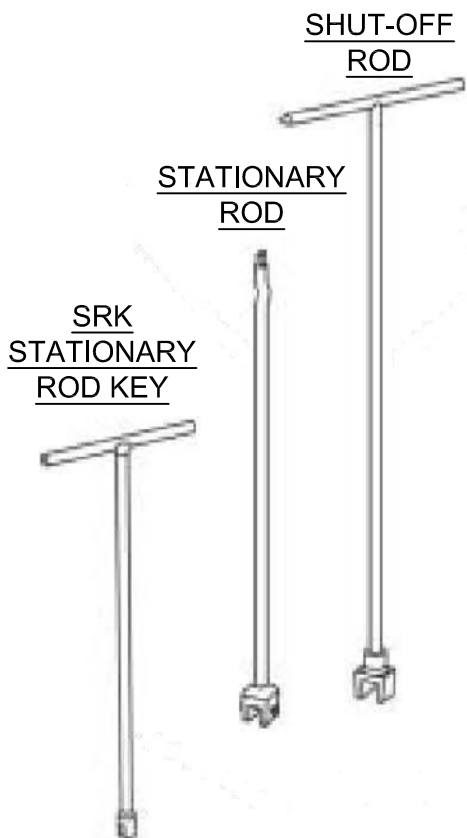
WATER & WASTEWATER UTILITY DEPARTMENT

REFERENCE THE "WATER & WASTEWATER UTILITY STANDARDS, SPECIFICATIONS & DETAILS MANUAL"

DATE: January 2, 2008

FORD CURB BOX ACCESSORIES

SCALE: N.T.S



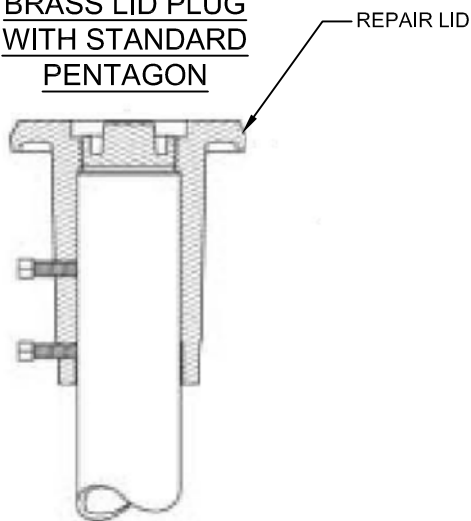
Stationary Rod
(Attach to Curb Stop with Cotter Pin)

CATALOG NUMBER	ROD LENGTH	APPROX. WT. LBS.
ROD-18	18"	-
ROD-24	24"	-
ROD-30	30"	-
ROD-36	36"	-
ROD-42	42"	-
ROD-48	48"	-
ROD-54	54"	-
ROD-60	60"	-
ROD-66	66"	-
ROD-72	72"	-
ROD-78	78"	-
ROD-84	84"	-

Shut-off Rods
(For Curb Boxes with 1-1/4" and 1-1/2" Upper Section)

CATALOG NUMBER	ROD LENGTH	APPROX. WT. LBS.
SROD-2	2'	-
SROD-3	3'	-
SROD-4	4'	-
SROD-5	5'	-
SROD-6	6'	-
SROD-8	8'	-
SROD-9	9'	-
SROD-10	10'	-

BRASS LID PLUG WITH STANDARD PENTAGON



Parts for Arch Pattern Boxes

CATALOG NUMBER	DESCRIPTION	APPROX. WT. LBS.
ITEMS FOR 1" UPPER SECTION STYLE		
PS-LID	Plug Type PS-LID, complete	-
PS-LID-SEWER	Plug Type PS-LID, complete w/ Sewer lettering	-
P-PSL	1" IPS Plug only, Type PS-LID	-
HS-LID	Erie Type 2 hole HS-LID, complete	-
HS-LID-SEWER	Erie Type 2 hole HS-LID, complete w/ Sewer lettering	-
AB-4	Arch Base Only (with spring)	-
CB-7	Curb Box Base	-
SRK	22" Key for Stationary Rod	-
ITEMS FOR 1-1/4" UPPER SECTION STYLE		
PL-LID	Plug Type PL-LID, complete	-
PL-LID-SEWER	Plug Type PL-LID, complete w/ Sewer lettering	-
AB-5	Arch Base Only (with spring)	-
CB-7	Curb Box Base	-
P-PLL	1-1/4" IPS Plug only, Type PL-LID	-
RL	1-1/4" Repair Lid for PL Type	-

FIGURE 2