

COMMERCIAL & RESIDENTIAL

UNDER CITY ORDINANCE 102.26 ADOPTED JUNE 1990 THE ACTUAL AND CURRENT PROCEDURE FOR NEW CONSTRUCTION IS APPLIED AND PRACTICED IN CONJUNCTION WITH THE ENGINEERING DEPARTMENT, BUILDING DEPARTMENT, PERMITTING OFFICE, WATER DISTRIBUTION AND THE CROSS CONNECTION CONTROL DEPARTMENT. ALL TAPS AND NEW SERVICE CONNECTIONS TO THE CITY OF WINTER PARK'S SYSTEM ARE PERFORMED AND INSTALLED BY CITY PERSONNEL ONLY.

RESIDENTIAL: ALL SINGLE FAMILY STRUCTURES AND PRIVATELY OWNED CONDOMINIUMS

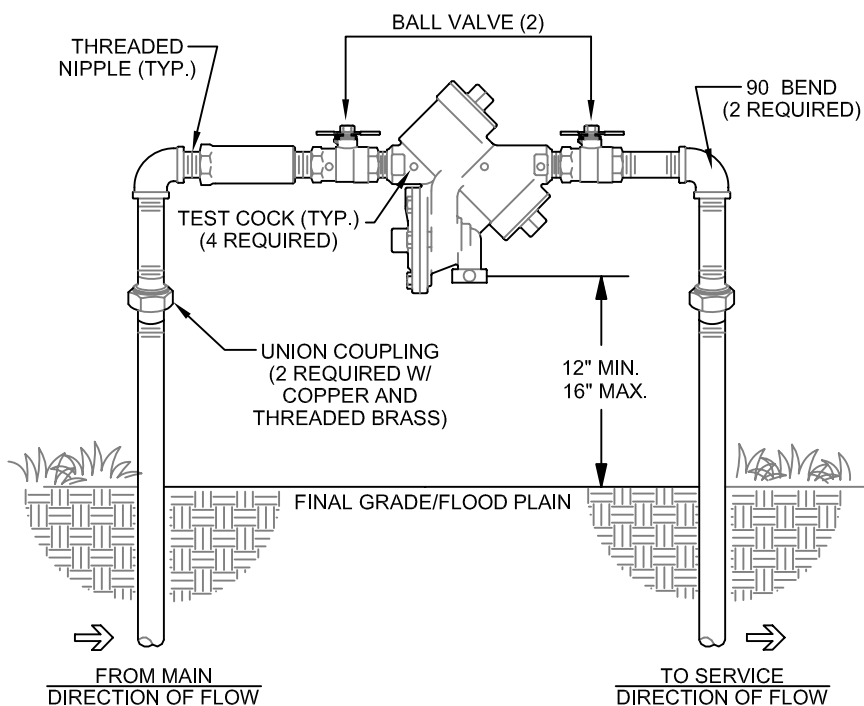
- THERE ARE NO BFP REQUIREMENTS FOR POTABLE WATER SERVICES, UNLESS AN AUXILIARY WATER SOURCE OR POTABLE IRRIGATION SYSTEM IS PRESENT.
- IF IRRIGATION EXISTS AND IS BEING FED BY A DOMESTIC WATER METER OR POTABLE IRRIGATION METER: A PRESSURE VACUUM BREAKER (PVB) OR A REDUCED PRESSURE ZONE (RPZ) BFP IS REQUIRED UPSTREAM OF THE SYSTEM AND ON ANY VALVES OR HOSE BIBS.
- SITES WITH SECONDARY IRRIGATION METERS ARE LOCKED OFF AT TIME OF INSTALLATION AND MUST PASS INSPECTION PRIOR TO ENGINEER'S FINAL INSPECTION AND CERTIFICATE OF OCCUPANCY ISSUANCE.

COMMERCIAL: ALL MULTI FAMILY STRUCTURES (APARTMENTS, DUPLEXES, ETC.) AND INDUSTRIAL/COMMERCIAL SITES

- A PRESSURE VACUUM BREAKER (PVB) OR REDUCED PRESSURE ZONE (RPZ) BFP IS REQUIRED UPSTREAM OF THE SYSTEM AND OF ANY VALVES OR HOSE BIBS.
- ALL IRRIGATION SERVICES ARE LOCKED OFF AT THE TIME OF INSTALLATION AND MUST PASS INSPECTION AND COMPLY WITH THE REQUIREMENTS OF A PVB OR RPZ.

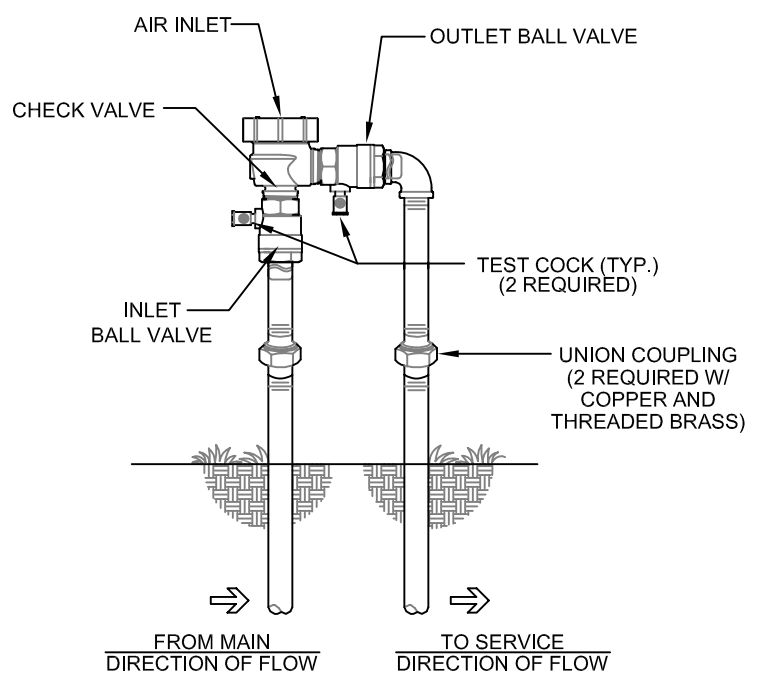
ALL DEVICES 3/4" TO 2 1/2" WILL BE INSTALLED WITH COPPER, SCHEDULE 80 PVC OR THREADED BRASS PIPE, ABOVE GRADE.
 ALL IRRIGATION HEADS MUST BE 12" FROM ALL STRUCTURES.
 TIMER & RAIN SENSOR ARE REQUIRED.

**3/4" - 2 1/2" ASSEMBLY
 REDUCED PRESSURE ZONE (RPZ)
 BACKFLOW PREVENTER (BFP)**



OR

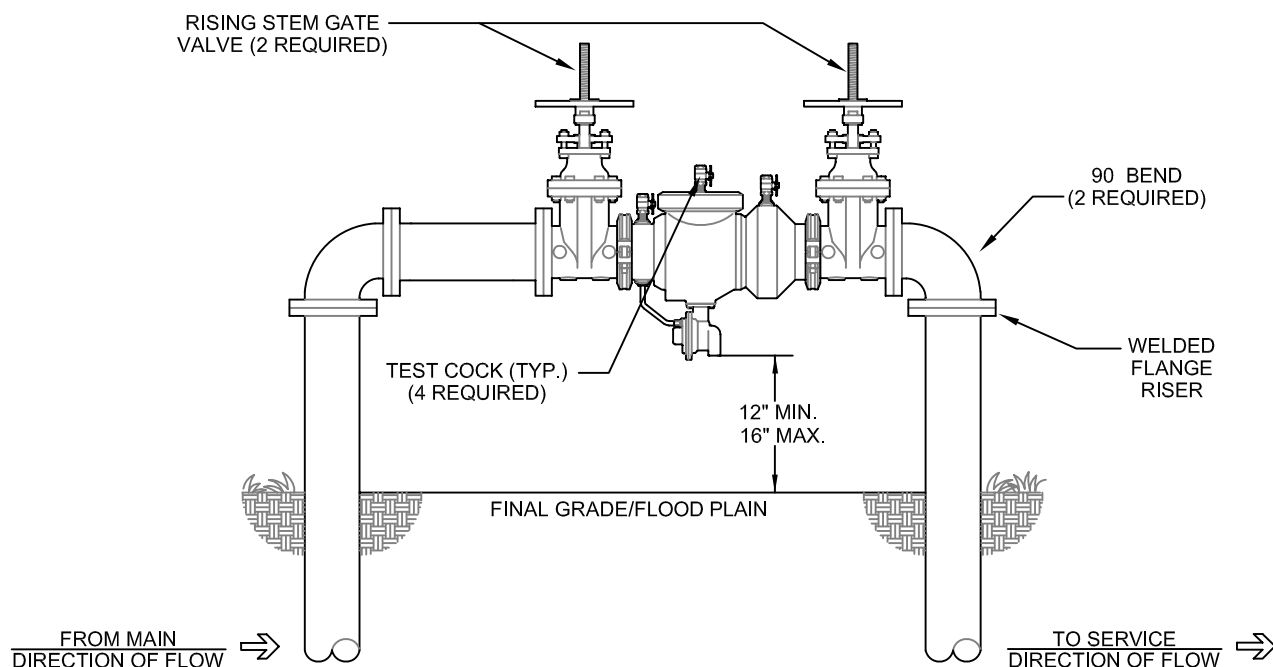
**1/2" - 2" ASSEMBLY
 PRESSURE VACUUM BREAKER (PVB)
 BACKFLOW PREVENTER (BFP)**



A PVB SHALL BE INSTALLED A MIN. OF 12' ABOVE THE HIGHEST POINT OF USE IN DOWN STREAM PIPING SUPPLIED BY OR FROM THE ASSEMBLY

**3" AND GREATER
 REDUCED PRESSURE ZONE (RPZ) BACKFLOW PREVENTER (BFP)**

ALL DEVICES 3" OR LARGER WILL BE INSTALLED ON DUCTILE IRON PIPE WELDED FLANGE RISERS, ABOVE GRADE.
 ALL IRRIGATION HEADS MUST BE 12" FROM ALL STRUCTURES.
 TIMER & RAIN SENSOR ARE REQUIRED.



ALL PROPOSED UNDERGROUND FITTINGS MUST BE IN ACCORDANCE WITH THE CITY'S JOINT RESTRAINT REQUIREMENTS (SEE FIGURE 34).
 ALL BFP'S SHALL BE IN ACCORDANCE WITH APPROVED PLANS BY THE CITY OF WINTER PARK.