

CITY OF WINTER PARK

WATER & WASTEWATER UTILITY DEPARTMENT

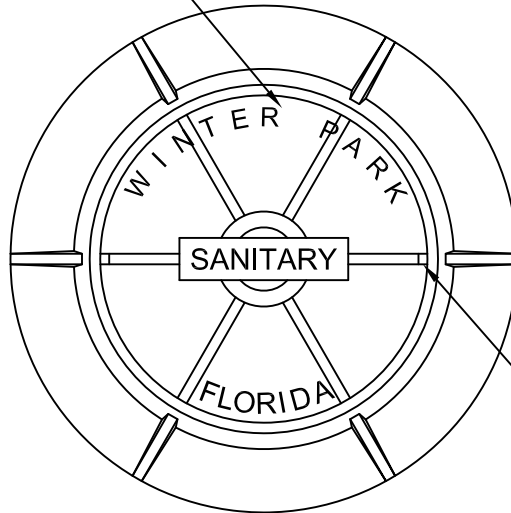
REFERENCE THE "WATER & WASTEWATER UTILITY STANDARDS, SPECIFICATIONS & DETAILS MANUAL"

DATE: January 2, 2008

USF 170 CE MANHOLE FRAME & COVER

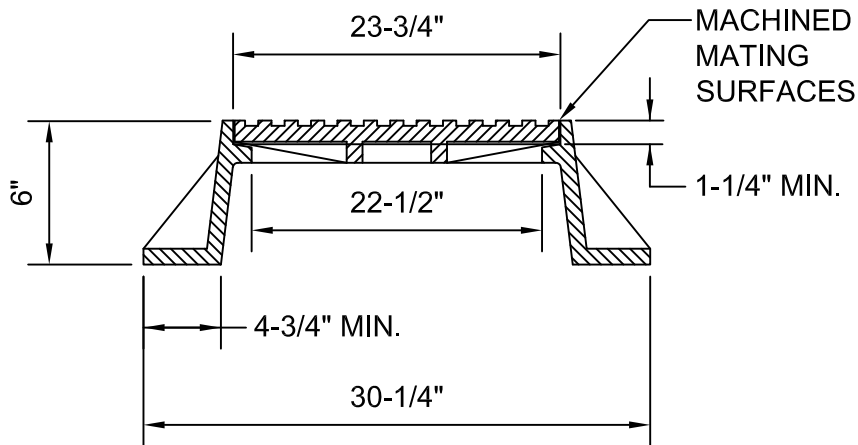
SCALE: N.T.S

RAISED 1-1/2" LETTERS  
FLUSH WITH TOP OF COVER



2 - NON PENETRATING  
PICK HOLES

PLAN



ELEVATION

NOTES:

1. ONLY APPLIES TO THE CITY OF WINTER PARK UTILITIES OWNED AND MAINTAINED MANHOLES. "WINTER PARK" SHALL NOT APPEAR ON PRIVATE MANHOLES.
2. DEPENDENT UPON SITE LOCATION DECORATIVE LOGO MANHOLE COVERS MAY BE REQUIRED; USF 170 FRAME W/ EI. STANDARD MANHOLE COVER; USF 170 FRAME W/ CE.