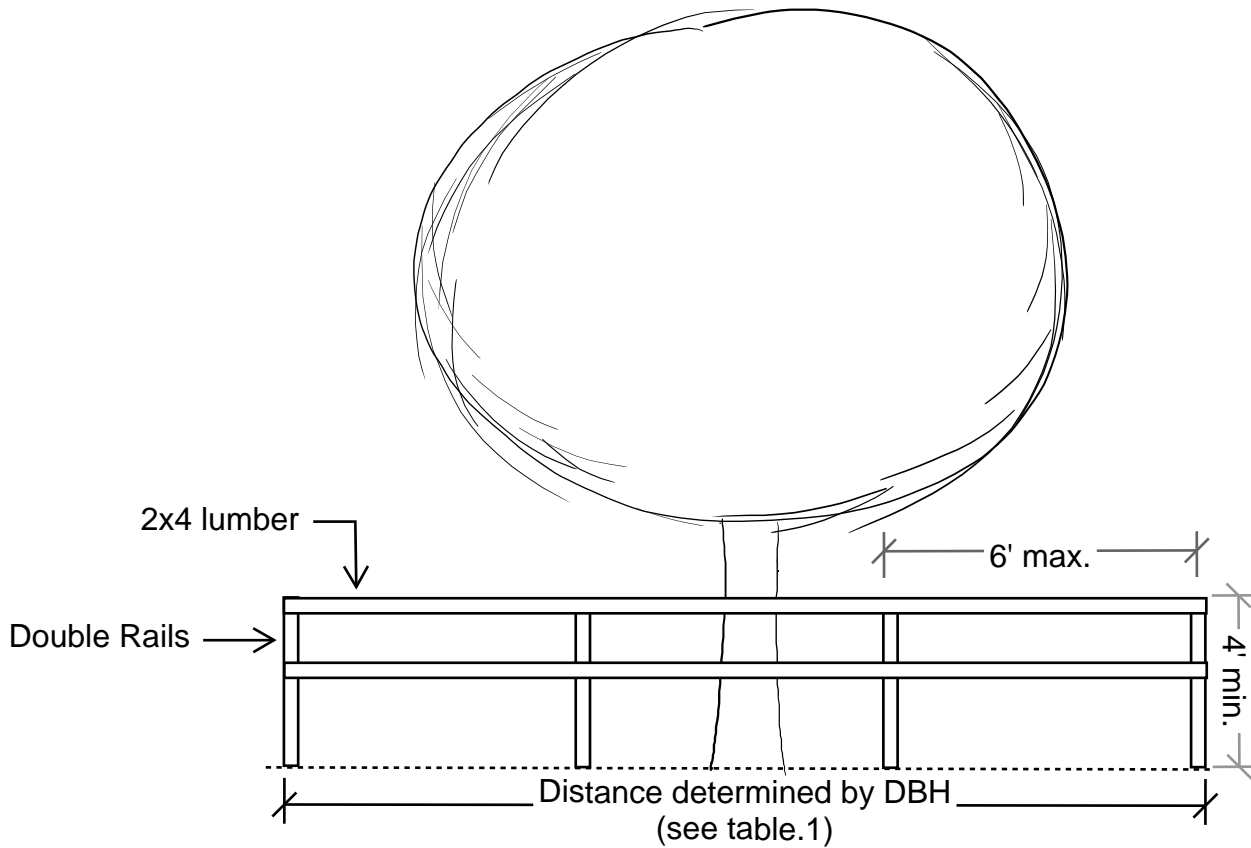


# Tree Barricade Detail



**Notes:**

1. Barricades shall be built in the dimensions of a box. See Table. 1 to determine the box dimensions based on DBH of the tree to be preserved.
2. Barricade posts and rails shall be made up of 2x4 lumber with hi-vis fencing attached.
3. At minimum, the barricade shall be 4 ft high with posts being no more than 6 ft apart.
4. A second rail shall be installed for added stability.
5. The barricade shall remain erected and maintained throughout the entire construction process.
6. Only hand tools may be used within the barricade. Trenching, digging, or grading is not allowed.

Tree Barricade Box	
DBH Range	Box Dimensions
3"-6"	8'
6"-12"	10'
12"-19"	14'
19"+	18'

**Table 1. Tree barricade box dimensions based on DBH of the existing tree to be preserved**

# Tree Barricade Box Dimensions

Tree Barricade Box	
DBH Range	Box Dimensions
3"-6"	8'
6"-12"	10'
12"-19"	14'
19"+	18'

**Table 1. Tree barricade box dimensions based on DBH of the existing tree to be preserved**

Notes:

1. Use the DBH of the existing tree to be preserved to determine the dimensions of the tree barricade.
2. Make adjustments as needed for sidewalks, curbs, buildings, and proposed building footprints.

